

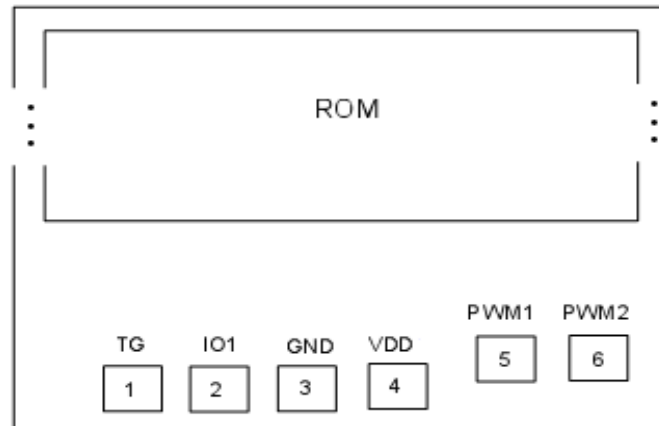
深圳市思科微电子有限公司

TEL:0755-29124379 FAX:0755-29124376

网址: www.sikewei.com

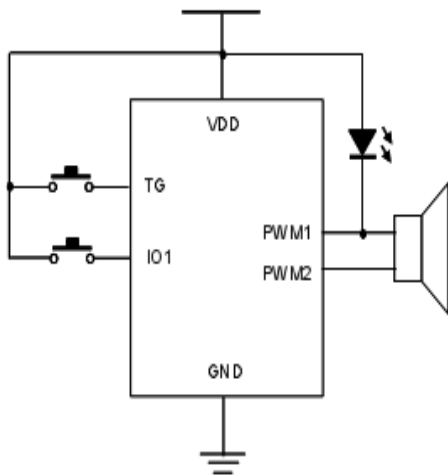
SK0042 点位及应用图

1. PAD 图

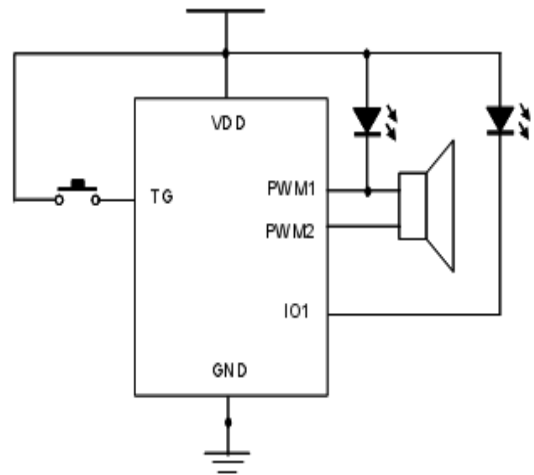


2. 典型应用图

(1) 2 triggers with 1 LED (Sink)



(2) 1 trigger with 2 LEDs (Sink)



NOTE:

1. The IC substrate should be connected to VSS in PCB layout.

2. The OSC and TG1 should be connected to the VDD.

3. OKY=ONE SHOT;